

MEDIATRAPS

MEDIATRAPS

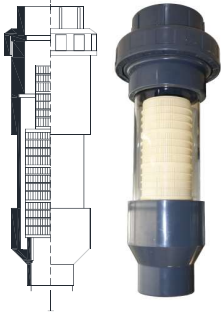
Material: Hand lay-up polyester with fiberglass (max quality polyester tech) or PVC
 GRP Media traps manufactured and calculated according to EN 13121-3.
 Steel reinforced GRP vessel.
 Flanged connections for INLET/OUTLET or PVC.
 Design temperature 40°C.
 KSH internal nozzles 0.2 mm.

ADDITIONAL OPTIONS

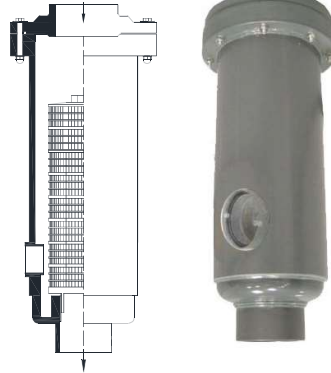
Higher temperatures.
 High-chemical resistance.
 Additional sight glass.
 Additional flanges.
 Drinking water / Food contact.



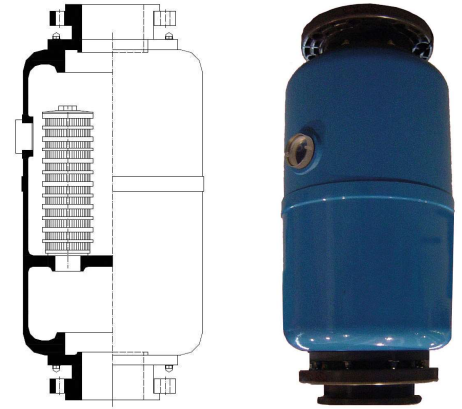
S-20



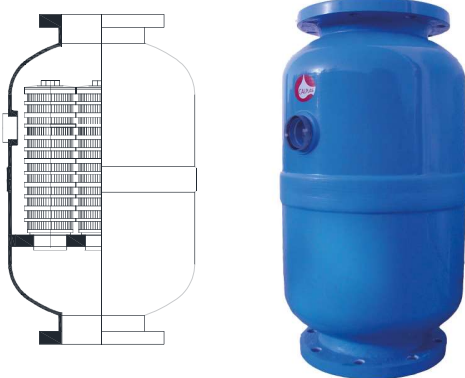
S-40



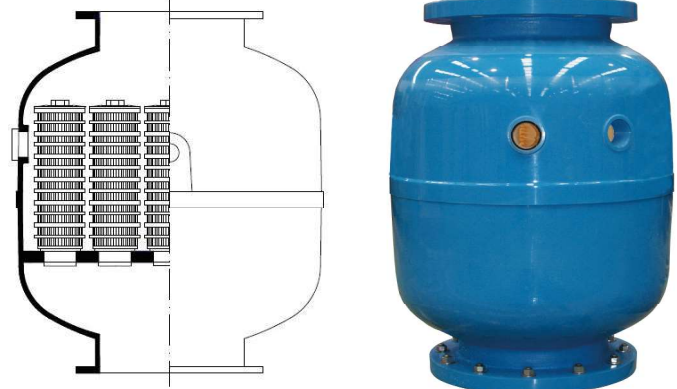
S-120



S-200 / S-280



S-600



OPTIONAL support
 horizontal/vertical for S600



ID	S - 20	S - 40	S - 120	S - 200	S - 280	S - 600
Ref.	426000	426001	426003	426005	4260007	4260015
Max. Flow	20 m3/h	40 m3/h	120 m3/h	200 m3/h	280 m3/h	600 m3/h
Max Connections	Ø 63 (DN 50)	Ø 90 (DN 80)	Ø 140 (DN 125)	Ø 225 (DN 200)	Ø 280 (DN 250)	Ø 505(DN 350)
Diameter	Ø110	Ø230	Ø360	Ø415	Ø460	Ø730
Length	465	560	750	770	770	930
Pressure	6 kg/cm2	6 kg/cm2	6 kg/cm2	6 kg/cm2	6 kg/cm2	6 kg/cm2
Material	PVC	PVC	GRP	GRP	GRP	GRP
Pressure loss	0.1 bar	0.1 bar	0.1 bar	0.1 bar	0.1 bar	0.1 bar
Max flow	20m3/h	40m3/h	120m3/h	200m3/h	280m3/h	600m3/h