

# FA SERIES Ø 415-960



## FA SERIES BED HEIGHT 350-450

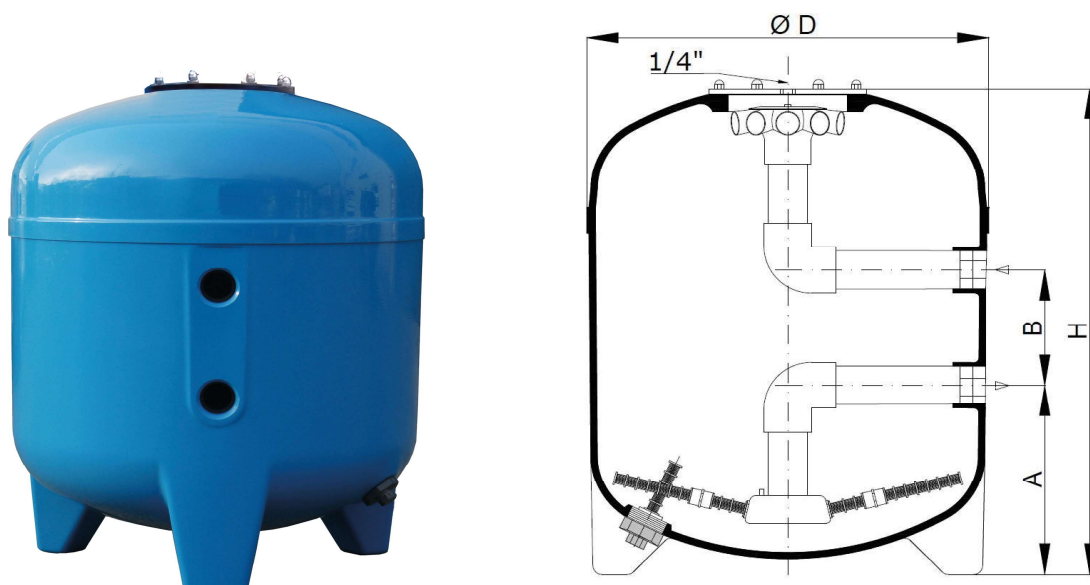
Manufactured and calculated according to EN 13121-3.  
 Material: Hand lay-up polyester with fiberglass (max quality polyester tech).  
 Steel reinforced GRP vessel.  
 All threaded connections are part of the structure of the filter in GRP.  
 Closed legs & part of the filter structure.  
 Top access.  
 Design temperature 40°C.  
 Laterals distribution.  
 Top distributor according to the media/application.  
 Tested 1.5 times design pressure

## ADDITIONAL OPTIONS

Higher temperatures.  
 High-chemical resistance.  
 Anchorage system to ground.  
 Seismic calculations.  
 Drinking water / Food contact.  
**BESGO READY FILTERS**

## WHY FA SERIES?

FA SERIES are the result of 50 years of experience. Top metallic lid, female threaded connections, and legs (all in GRP) make this filter the best option in many cases.



**Integrated GRP threads**

**Metallic top lid**

**Arms collector**

**Diffuser for Sand / AFM**

**Emptying plug**

**Besgo ready**

Design pressure: 2.5 / 5 / 7 bars

	FA-6	FA-8	FA-10	FA-15	FA-20	FA-30	FA-35
D	415	460	520	640	720	840	960
H	730	740	800	830	930	950	1050
A	260	260	310	310	360	360	360
B	190	190	190	190	190	190	250
I/O	2"	2"	2"	2"	2"	2"	2 1/2"
Emptying	3/4"	3/4"	3/4"	3/4"	3/4"	3/4"	3/4"
Top air relief	1/4"	1/4"	1/4"	1/4"	1/4"	1/4"	1/4"
Filt. Surface	0.13m <sup>2</sup>	0.16m <sup>2</sup>	0.20m <sup>2</sup>	0.30m <sup>2</sup>	0.40m <sup>2</sup>	0.52m <sup>2</sup>	0.70m <sup>2</sup>