

# STANDARD AFM® / SAND FILTERS

## DPSL/420 SERIES Ø 1010-3000



Ref	ID	Ø D	H	O	M	A	B	I/O	Filt. Surface	AFM® G3 / G2 / G1 (21 Kg) Sand(2-3/0.7-1.2/0.4-0.8)(25 Kg)
222710	DPSL/420-1010	1010	2460	165	420	560	1500	DN80	0,78 m <sup>2</sup>	0 / 18 / 44
222711	DPSL/420-1160	1160	2565	165	420	610	1505	DN100	1,01 m <sup>2</sup>	0 / 24 / 60
222712	DPSL/420-1260	1260	2605	165	420	620	1585	DN100	1,21 m <sup>2</sup>	0 / 28 / 70
222714	DPSL/420-1440	1440	2680	165	420	670	1565	DN100	1,55 m <sup>2</sup>	0 / 40 / 90
222716	DPSL/420-1640	1640	2800	165	420	760	1540	DN125	2,04 m <sup>2</sup>	0 / 50 / 120
222718	DPSL/420-1840	1840	2860	165	420	790	1500	DN125	2,52 m <sup>2</sup>	0 / 60 / 150
222720	DPSL/420-2040	2040	2960	165	420	820	1545	DN150	3,17 m <sup>2</sup>	0 / 90 / 180
222722	DPSL/420-2210	2210	3140	165	420	850	1665	DN150	3,77 m <sup>2</sup>	0 / 100 / 220
222723	DPSL/420-2340	2340	3150	165	420	900	1615	DN200	4,06 m <sup>2</sup>	0 / 100 / 240
222725	DPSL/420-2550	2550	3220	165	420	925	1685	DN250	4,91 m <sup>2</sup>	0 / 120 / 290
222728	DPSL/420-2800	2800	3340	190	420	970	1680	DN250	5,97 m <sup>2</sup>	0 / 160 / 340
222730	DPSL/420-3000	3000	3300	190	420	Check		DN250	6,90 m <sup>2</sup>	0 / 180 / 400

### DPSL 420 SERIES 1500 BED HEIGHT

Design pressure 2,5 Kg/cm<sup>2</sup> | Test pressure 3,75 Kg/cm<sup>2</sup>.  
 Steel reinforced lateral Ø420 lateral manhole.  
 Steel reinforced nozzle plate.  
 GRP Flanged connections.  
 GRP Calplas diffuser.  
 Elliptical top manhole.  
 Lifting lug.  
 Sight glass 4" to 6".  
 GRP reinforced internal pipping.  
 Bottom emptying hole.  
 Optimal performace with AFM® / Sand.

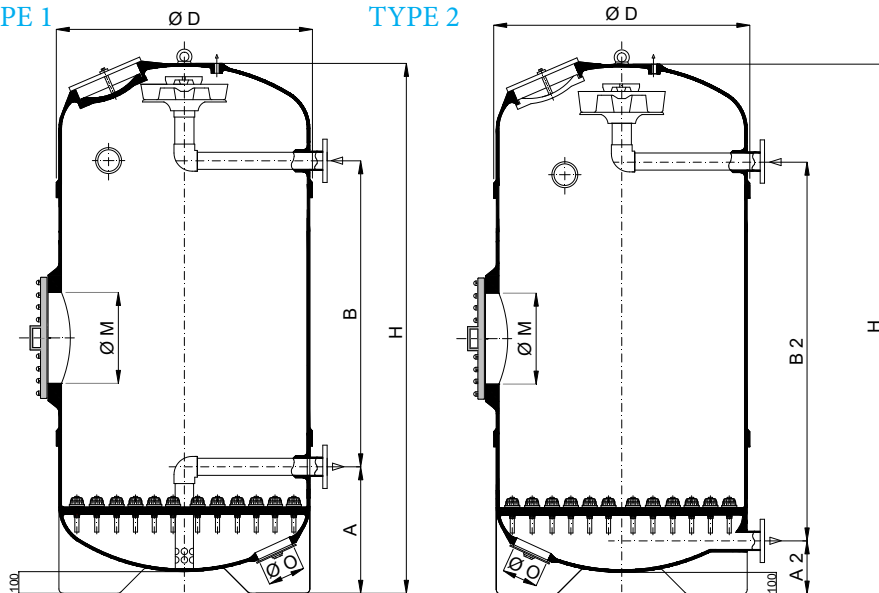
### ADDITIONAL OPTIONS

Additional sight glass.  
 High temperature.  
 Available for higher pressure up to 6 kg/cm<sup>2</sup>.  
 Customizable height.  
 Other flange sizes available.  
 Different connections.  
 Ad-hoc holes and Sight glasses orientation.  
 Optional Ø500 manhole.  
 A2 & B2 connections available. Ask for measures.

### SIGHT GLASS ALWAYS INCLUDED

TYPE 1

TYPE 2



Flange integrated in body

Top diffuser

Access manhole

Top manhole

Nozzle plate

Nozzle detail

Sight glass

Emptying hole

